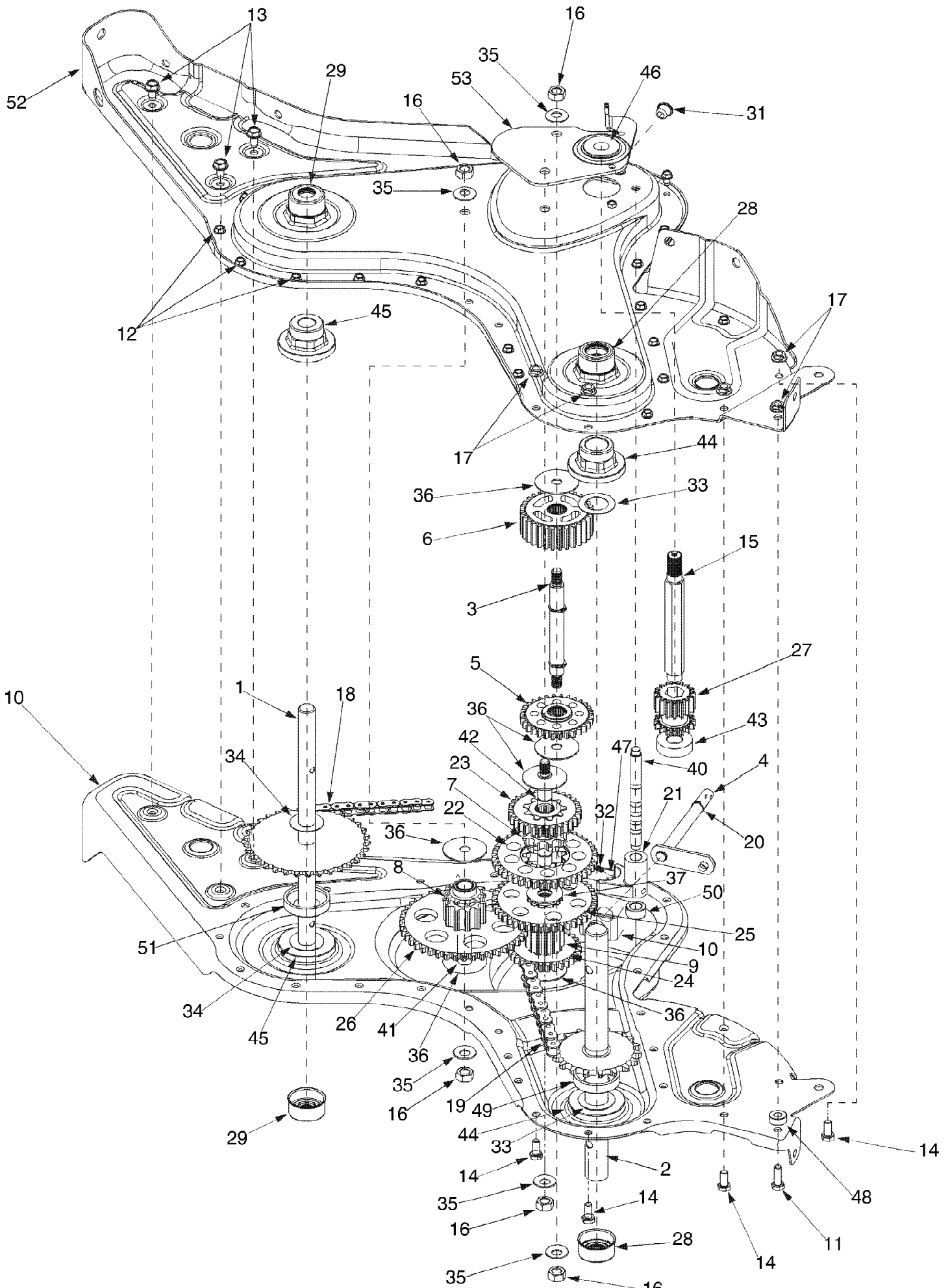


Wheel shaft shown
for reference only

21AB453J090 (2007)
Drive & Wheels

Page 2 of 9

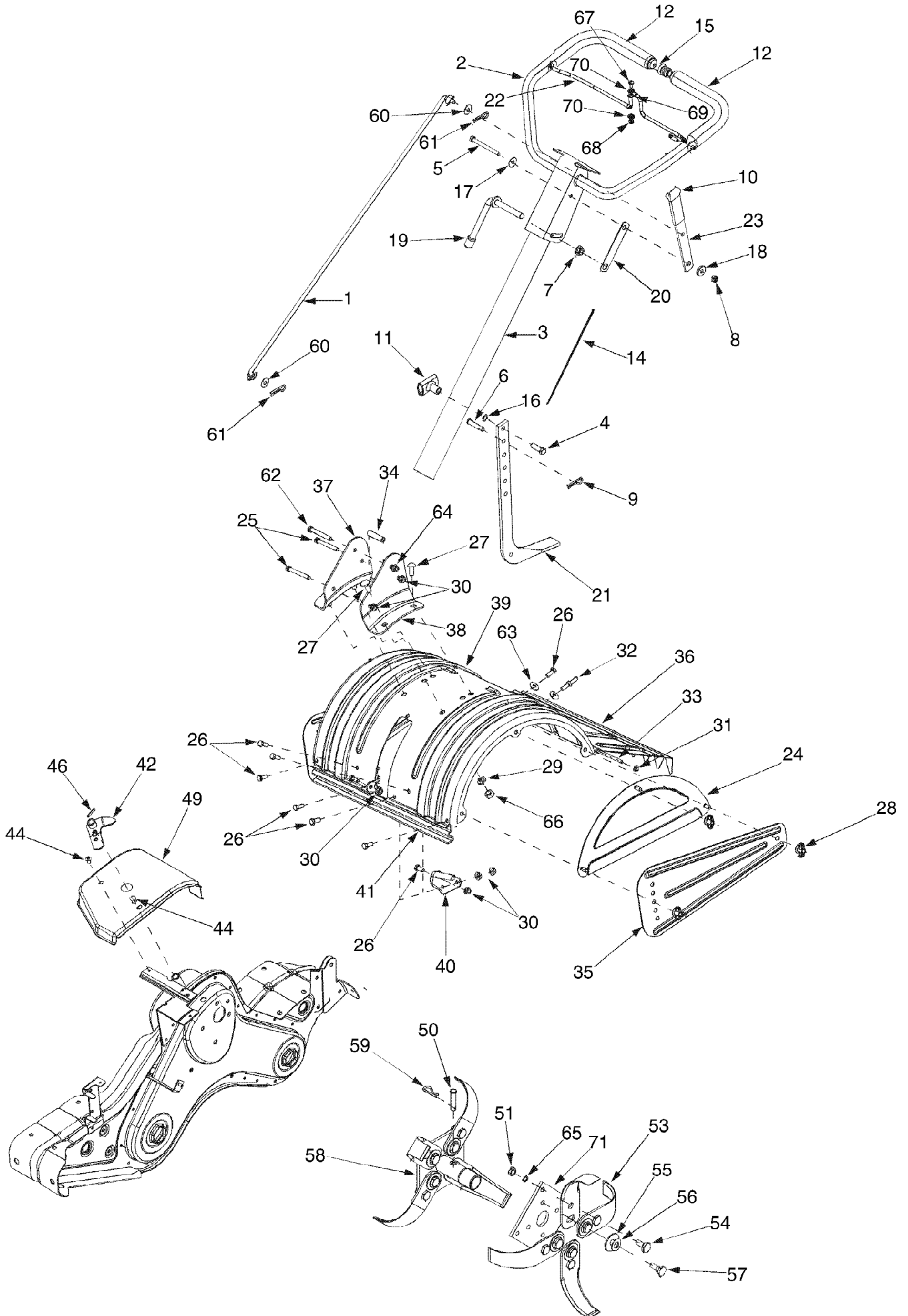
Ref #	Part Number	Qty	S/P/F	Description
1	686-0111	1	S	Belt Cover Bracket Ass'y
2	710-0237	1	/P	Hex Bolt 5/16-24 x .62"
3	710-0412	1	/P	Hex Bolt 1/4-28 x .75"
4	710-0502A	1	/P	Hex Washer Screw 3/8-16 x 1.25"
5	710-0152	1	S	Hex Bolt 3/8-24 x 1.0
6	710-0599	1	/P	Hex Washer Screw
7	710-0723	1	/P	Hex Cap Screw 3/8-16 x 1.25
8	712-0266	1	S	Lock Jam Nut 3/8-16
9	712-0267	1	S	Hex Nut 5/16-18
10	714-0104	1	S	Internal Cotter Pin
11	736-0104	1	S	Hairpin Clip
12	736-0119	1	S	Lock Washer 5/16"
13	736-0176	1	S	Flat Washer .25 ID x .93 OD
14	736-0271	1	S	Spring Washer .317 ID x .625 OD
15	736-0329	1	S	Lock Washer 1/4" ID
16	736-0452	1	S	Bell Washer .396 ID x 1.14 OD
17	738-0876	1	S	Shoulder Nut 7/16-20
18	746-1117	1	S	Clutch Cable
19	747-1159	1		Idler Pulley Rod
20	754-0434	1	S	V-Belt
21	756-0405	1	/P	Flat Idler w/Flange 3.75 OD
22	756-0971	1		Outer Engine Pulley Half
23	756-0972	1		Inner Engine Pulley Half
24	756-1162	1		Input Pulley
25	786-0064A	1		Idler Bracket
26	786-0185	1	S	Belt Keeper Bracket
27	786-0187	1	S	Shift Cover Bracket
28	786-0193	1	S	Idler Belt Keeper
29	634-04231	1	S	Wheel Assembly 16.0 x 4.6 x 8
29	734-0808	1	S	Tire Only 16.2 x 4.6 Not shown
30	634-04230	1		Wheel Rim Assembly
31	734-0255	1	S	Air Valve
32	710-0606	1	/P	Hex Head Screw 1/4-20
33	712-04064	1	/P	Flange Lock Nut 1/4-20
34	710-0515	1		Hex Bolt 1/2-20 x 3.50 If equipped
35	712-3066	1	S	Hex Nut 1/2-20 If equipped
36	686-0192	1		Bumper Assembly If equipped
37	736-0326	1	S	Flat Washer If equipped
38	736-0921	1	S	Lock Washer 1/2 If equipped
39	710-0653	1	/P	Hex Screw 1/4-20 x .375
40	710-1017	1	/P	Screw 1/4-14 x .625
41	712-0392	1	/P	Lock Nut
42	736-3020	1	S	Flat Washer .271 ID x .630 OD
43	784-0158A	1	/P	Belt Cover
44	736-0242	1	/P	Bell Washer .340 ID x .872 OD If equipped
45	737-0298	1	/P	Straight Pipe 1/4-3.5"
46	737-0132	1		End Cap
47	710-0382	1		Hex Head Screw, 1/2-13 x 5.00 If equipped
48	736-0179	1	S	Flat Washer 1/2 x 1.25 x .10 If equipped
49	731-1595	1	/P	Counterweight If equipped
50	731-0381	1		Counterweight If equipped
51	712-0206	1	S	Hex Nut, 1/2-13 If equipped



21AB453J090 (2007)
Gear Case Assembly

Page 4 of 9

Ref #	Part Number	Qty	S/P/F	Description
1	611-04074	1		Wheel Shaft Ass'y 33T
2	611-0021	1	/P	Tine Shaft Ass'y: 18T
3	611-0128	1		Jack Shaft Ass'y
4	611-0129	1		Input Shaft Ass'y
5	617-0058	1		Rev. Idler Gear Ass'y: 30T
6	617-0059	1		Tine Idler Gear Ass'y: 30T
7	617-0060	1		Tine Input Sprocket Ass'y: 9T
8	617-0061	1		Wheel Input Sprocket Ass'y: 10T
9	617-0062	1		Gear Ass'y: 11T
10	686-0108	1	S	R.H. Housing Ass'y
11	710-0376	1	/P	Hex Bolt 5/16-18 x 1" Lg.
12	710-0599	1	/P	Hex S-Tap Scr. 1/4- 20 x.5"
13	710-0604A	1	/P	Hex S-Tap Scr. 5/16-18 x.625"
14	710-3008	1	/P	Hex Bolt 5/16-18 x.75"
15	711-1349	1		Input Shaft
16	712-0378	1	/P	Hex Nut 7/16-20
17	712-3004A	1	/P	Flange Nut 5/16-18
18	713-0367	1	S	#420 Chain 1/2 Pitch x 50 Links
19	713-0484	1	S	#50 Chain 5/8 Pitch x 54 Links
20	716-0865	1	/P	Snap Ring
21	717-0853	1	S	Shifting Fork
22	717-1582	1		Spur Gear 44T
23	717-1583	1		Spur Gear 30T
24	717-1584	1		Spur Gear 30T
25	717-1585	1		Spur Gear 44T
26	717-1587	1		Spur Gear 44T
27	717-1594	1		Spur Gear 16T
28	721-0378	1	S	Seal 1.0 Shaft
29	721-0379	1	/P	Seal.75 Shaft
31	726-0277	1		Taper Cap Ring
32	732-0496	1	S	Compression Spring.50" Leg.
33	736-0163	1	S	Thrust Wash. 1.03" I.D. X. 1.62"
34	736-0351	1	S	FI-Wash.76" I.D. x 1.5" O.D.
35	736-0407	1		Bell-Wash .45" I.D. x 1.0"
36	736-0518	1		Thrust Wash. .445 x 1.92 x .060
37	736-3088	1		FI-Wash. .635" I.D. x 1.59 O.D.
40	738-0645	1		Detent Shaft 1/2" Dia.
41	738-0648	1		Jack Shaft .625 x 2.385
42	738-1013	1		Jack Shaft .625 x 5.0
43	741-0124	1	S	Ball Bearing
44	741-0420	1	S	Flange Bearing 1.0 x 2.5 x 1.38
45	741-0421	1		Flange Bearing .75 x 2.5 x 1.38
46	741-0563	1	S	Ball Bearing . 6692 x 5745 x .466
47	741-0862	1	/P	Detent Ball .250
48	750-0258	1	/P	Spacer .315
49	750-0570	1	S	Spacer 1.0 I.D x 2.0 O.D. x .440
50	750-0664	1		Spacer .505 I.D. x .88 O.D. x .440
51	750-0671	1	S	Spacer .75 x 2.0 x .50
52	786-0171	1	S	L.H. Chain Case Ass'y
53	786-0238	1		Gear Positioner Bracket
	686-04074	1	S	Gear Case Assembly Complete



21AB453J090 (2007)
General Assembly

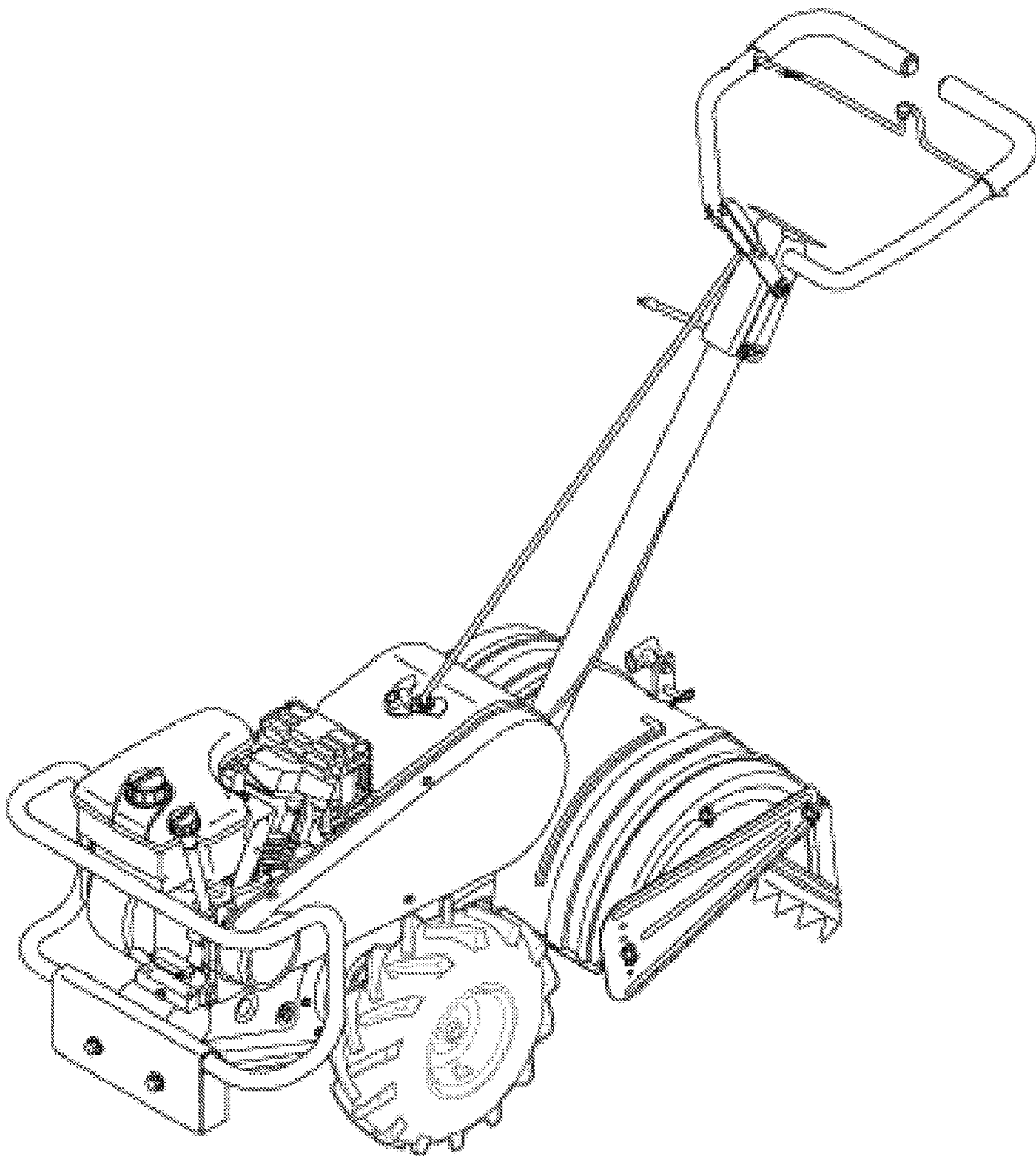
Page 6 of 9

Ref #	Part Number	Qty	S/P/F	Description
1	747-1152	1		Shift Rod
2	649-0041	1		Upper Handle Ass'y
3	649-0034	1		Lower Handle Ass'y
4	710-3005	1	/P	Hex Screw 3/8-16 x 1.25
5	710-3056	1		Hex Screw 5/16-18 x 3.25
6	711-0415	1	S	Clevis Pin 3/8-1.62
7	712-0379	1	/P	Flange Lock Nut 3/8-24
8	712-0429	1	S	Hex Lock Nut 5/16-18
9	714-0147	1		Cotter Pin
10	720-0313	1	/P	Grip
11	720-0210A	1	/P	T-Knob
12	720-0278A	1	/P	Foam Grip
14	726-0317	1		Cable Tie
15	735-0246	1		Plug
16	736-0117	1	S	Flat Washer 3/8 ID x .620 OD
17	736-0242	1	/P	Bell Washer .340 ID x .872 OD
18	738-0958	1	S	Shoulder Spacer
19	784-0190	1		Handle Adjustment Crank
20	784-0191	1		Hex Nut Retainer Bracket
21	786-0120	1	S	Depth Stake
22	747-1219	1	S	Bail Clutch
23	786-0181	1		Shift Lever Rod
24	686-0044A	1	/P	Tine Shield Cover Ass'y
25	710-0176	1	/P	Hex Cap Screw 5/16-18 x 2.75
26	710-3008	1	/P	Hex Cap Screw 5/16-18 x .750
27	710-3097	1		Carriage Bolt 3/8-16 x 1.0
28	712-0421	1		Wing Nut
29	736-0169	1	S	Lock Washer 3/8
30	712-04063	1	/P	Flange Nut 5/16-18
31	726-0106	1	S	Cap Nut
32	738-0849	1	S	Hex Screw 5/16-18 x .75"
33	747-0432	1		Rod
34	750-0885A	1	/P	Spacer .322 x .625 x 2.0
35	786-0090	1		Shoulder
36	786-0113	1	/P	Tine Shield Hinge Flap
37	786-0176	1		RH Handle Bracket
38	786-0177	1		LH Handle Bracket
39	786-0178	1		Tine Shield
40	786-0179	1	S	Tine Shield Bracket
41	786-0180	1	S	Shoulder Spacer Bracket
42	686-0109	1	S	Shift Crank Ass'y
44	710-1017	1	/P	Screw 1/4-14 x .625
46	715-0120	1	S	Spiral Pin 3/16 x 1.0
49	784-0208C	1	/P	Shift Cover
50	711-0415	1	S	Clevis Pin
51	712-3054	1	/P	Hex Nut 3/8-24
53	742-0305	1	S	13" Articulating Tine
54	738-0689	1	S	Shoulder Bolt
55	736-0208	1	S	Flat Washer .51" ID x 1.50" OD
56	736-0253	1	S	Bell Washer .515" ID x 1.14" OD
57	738-0688	1	S	Shoulder Bolt
58	784-0160	1	S	Tine Adapter Ass'y 18"
59	714-0149B	1	S	Cotter Pin

21AB453J090 (2007)
General Assembly

Page 7 of 9

Ref #	Part Number	Qty	S/P/F	Description
60	735-0127	1	/P	Rubber Washer
61	714-0104	1	S	Cotter Pin
62	710-3022	1	/P	Hex Screw 3/8-16 x 2.75"
63	736-0204	1	/P	Flat Washer
64	712-04065	1	/P	Flange Nut 3/8-16
65	736-0169	1	S	Lock Washer
66	712-3017	1	S	Hex Nut 3/8-16
67	710-0946	1	/P	Truss Screw 1/4-20 x .65
68	712-0324	1	/P	Hex Lock Nut 1/4-20
69	726-0273	1		Battery Hose Clamp 5/16
70	736-3090	1	/P	Flat Washer .260 ID x .720 OD
71	784-0161	1	S	Tine Adapter Plate



Ref #	Part Number	Qty	S/P/F	Description
	N/A	1		Spark Plug
	N/A	1		Pre Filter
	N/A	1		Air Filter
	N/A	1		Fuel Filter
	754-0434	1	S	Drive Belt (FWD)
	NA	1		Drive Belt (REV)
	756-0405	1	/P	Idler Pulley
	746-1117	1	S	Clutch Cable (FWD)
	N/A	1		Clutch Cable (REV)
	742-0305	1	S	Tines Outer (LH)
	742-0305	1	S	Tines Outer (RH)
	N/A	1		Tines Inner (LH)
	N/A	1		Tines Inner (RH)
	634-04230	1		Rim
	734-0808	1	S	Tire
	634-04231	1	S	Wheel Assembly
	720-0278A	1	/P	Grip
	720-0210A	1	/P	Shift Control Knob
	N/A	1		Handle Knob